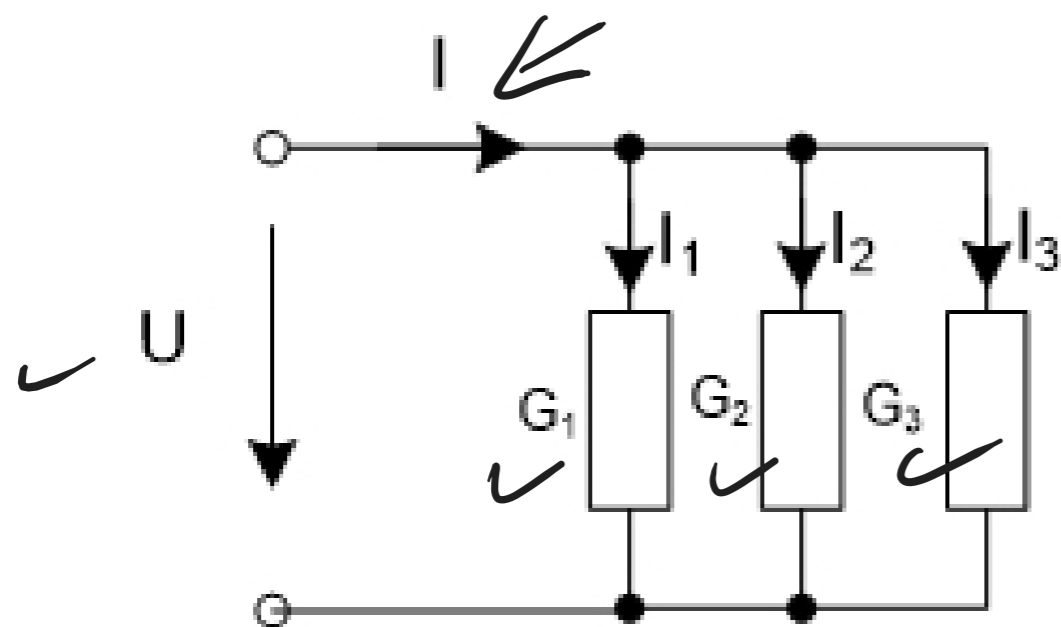
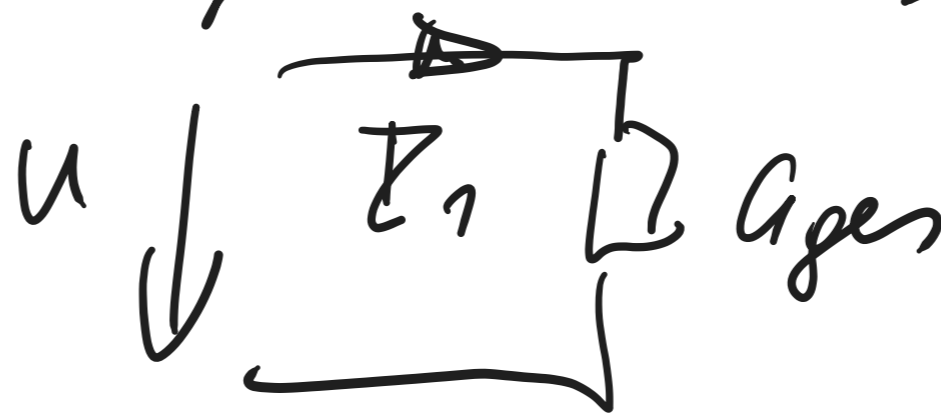


$$U = R \cdot I$$

$$I = \frac{U}{R} = U \cdot G$$



$$G_{ges} = G_1 + G_2 + G_3$$



$$I = U \cdot G_{ges}$$